

Overview

Introduction

HP provides a portfolio of professional-grade accessories that deliver an ideal mobile office designed to help you achieve your business goals, increase productivity and lower your costs. All HP accessories go through rigorous testing and are certified to work seamlessly with your HP Business Notebook. They are backed up by HP's world-class support.

HP docking solutions include a range of convenient expansion solutions that easily connect to your HP Business Notebook*. Create an ideal desktop computing environment using comfort-focused docking stations and stands that provide port replication and cable management, as well as enable future expandability.

HP Docking Stations and HP Advanced Docking Stations offer up to six USB ports, enabling you to instantly connect to the USB peripherals you use most. The docking stations also feature up to two video DisplayPort connectors, in addition to VGA and DVI ports, giving you multiple choices for high-end digital video output now and in the future. The new eSATA port (available on the HP Advanced Docking Station) offers throughput rates of up to 3Gbps.

These docking stations feature the proprietary HP Docking Station Cable Lock, in addition to an industry standard notebook lock slot. This new locking solution is dramatically simpler to use than previous locks and delivers enhanced security. In addition to its physical security features, the HP Docking Station Cable Lock (AU656AA) gives you three locking options: lock the docking station only (which also prevents access to the advanced docking station's drive bay); lock both the docking station and the notebook; or physically secure the docking station to a stationary object using the security cable tab.

HP is committed to delivering the optimal mobile computing experience by offering industry-leading accessories for every mobile user, whether you are a frequent traveler or rarely leave your desk. Enjoy return on investment from these easy-to-use, easy-to-deploy, and easy-to-manage expansion solutions.

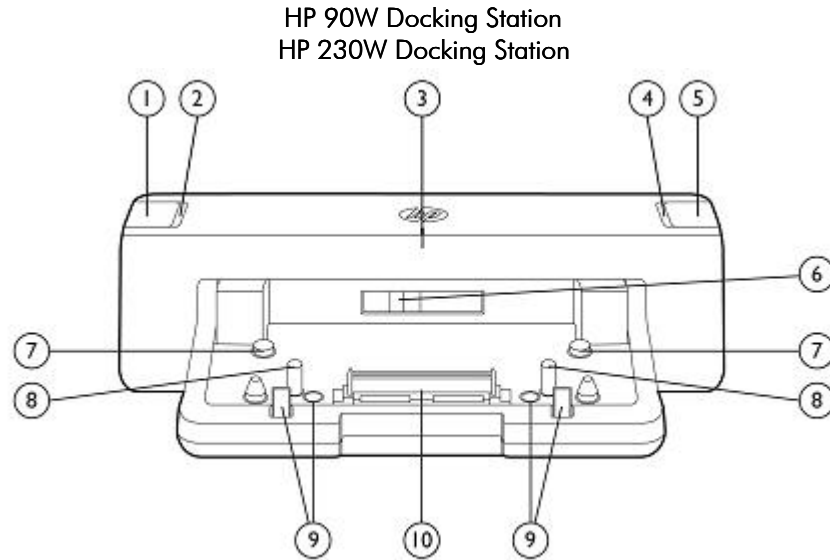
NOTE: Check the compatibility sections below for a list of products supported by these docking stations. Due to technology changes some notebook models may be supported by different docking station solutions.

Models

HP 90W Docking Station	VB041AA#XXX
HP 230W Docking Station	VB043AA#XXX
HP 120W Advanced Docking Station	NZ222AA#XXX
HP 230W Advanced Docking Station	NZ223AA#XXX
HP Docking Station Cable Lock	AU656AA

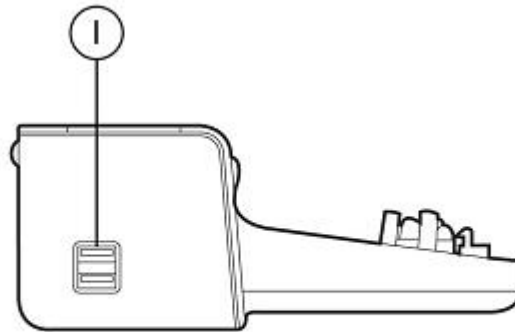


HP 90W and 230W Docking Stations



- | | |
|-------------------------------|------------------------------|
| 1. Power button | 6. Battery size accommodator |
| 2. Power light | 7. Guide pads |
| 3. Visual alignment indicator | 8. Docking posts |
| 4. Docking light | 9. Notebook eject mechanisms |
| 5. Notebook eject button | 10. Docking connector |

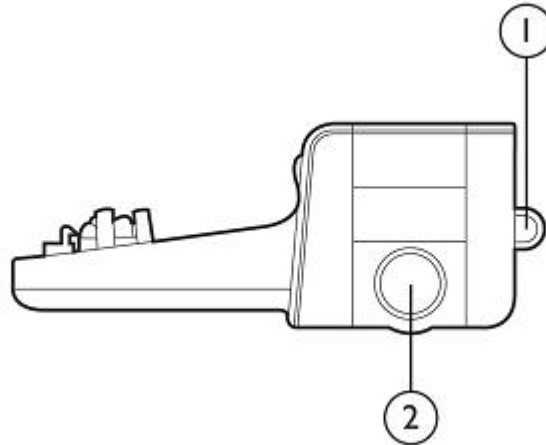
HP 90W Docking Station Left-Side Components HP 230W Docking Station Left-Side Components



1. Always-On USB 2.0 ports

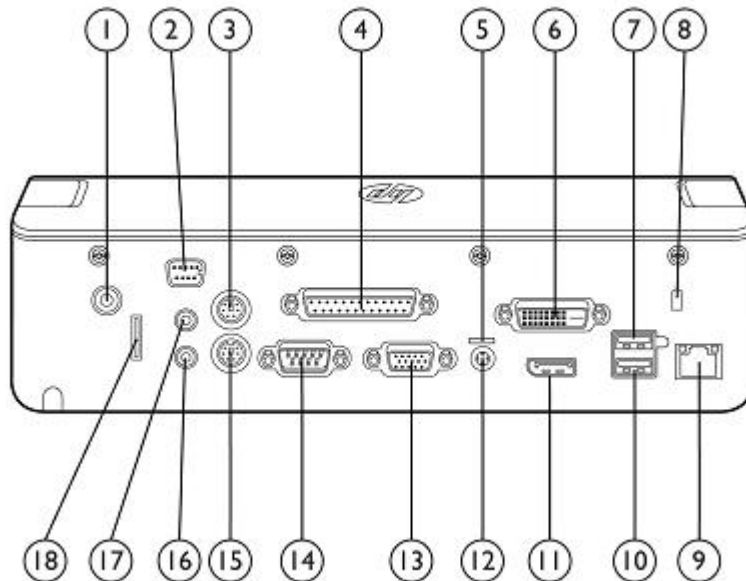
HP 90W Docking Station Right-Side Components HP 230W Docking Station Right-Side Components

HP 90W and 230W Docking Stations



1. Security cable tab
2. Integrated cable lock slot
(to connect HP Docking Station Cable Lock or industry standard notebook lock)

HP 90W Docking Station Rear Components HP 230W Docking Station Rear Components



1. HP Docking Station Cable Lock slot
2. Monitor stand port
3. Mouse connector
4. Parallel port
5. Power light
6. Digital video (DVI-D) port
7. Powered USB 2.0 port
8. Security cable slot
9. RJ-45 (network) jack
10. Always-On USB 2.0 ports
11. DisplayPort connector
12. Power connector
13. External monitor (VGA) port
14. Serial port
15. Keyboard connector
16. Line-In jack
17. Audio-out (headphone) jack
18. Security cable tab

HP 90W and 230W Docking Stations

Key Benefits

Desktop convenience with full port replication capability in a space-saving design.

- Conveniently charges your notebook while it is in the docking station.
- Easy docking system provides port replication and cable management in one product.
- Four USB ports allow you to connect more peripherals to make you more productive.
- Optional integrated HP Docking Station Cable Lock allows you to secure your docking station and notebook with one lock. Also supports an industry standard notebook lock.

AC adapter included

The HP 90W Docking Station gives you an energy-efficient 90W Smart AC adapter for your Notebook PC. The HP 230W Docking Station gives you an energy-efficient 230W Smart AC adapter for your Notebook PC or Mobile Workstation. These Smart adapters guard against power fluctuations with integrated surge protection.

Standard Features

2 docking posts	Align and secure the computer for proper connection to the docking station
Docking connector	Connects the computer to the docking station
Visual alignment indicator	Helps you align the computer with the docking station for fast and easy docking
Power button and power light	Power indicators
Eject button and docking light	Ejects computer from docking station. Docking light is turned on when the computer is properly connected.
USB ports	4 USB 2.0 ports (3 Always-On, 1 powered)
Always-On USB port	Allows you to charge USB powered devices while the computer is in standby mode, powered off or not in the docking station. Conforms to USB 1.1 Charging Specification.
Powered USB port	Allows you to connect to select USB powered devices, such as the HP External USB CD/DVD R/RW Drive, as well as regular USB devices.
Integrated cable lock slot	Supports the HP Docking Station Cable Lock with a drastically simplified locking mechanism. Gives you two security options: lock the docking station only (which also prevents access to the Advanced Docking Station drive bay); or lock both the docking station and your notebook for additional security. Also supports an industry standard notebook lock.
Audio and Network connectors	Audio and Ethernet ports, Line-in jack, headphone jack
Legacy connectors	Mouse, keyboard, serial and parallel connectors
Other connectors	1 Monitor Stand, 1 DisplayPort, 1 VGA, and 1 DVI-D connectors. AC adapter connector with light
Smart Adapter	90W Smart AC Adapter or 230W Smart AC Adapter

Service and Support One-year limited warranty. Additional support is available 24 hours a day, seven days a week by phone as well as online support forms.

NOTE: Certain restrictions and exclusions apply. Consult the HP Customer Support Center for details.



HP 90W and 230W Docking Stations

Compatibility

The HP 90W Docking Station and HP 230W Docking Station are compatible with HP ProBook 6445b and 6545b Notebook PCs. The HP Docking Station Cable Lock (AU656AA#XXX) is compatible with the docking stations.

NOTE: Due to technology changes older notebook models may be supported by different docking stations. Please refer to the following models for additional information:

- HP 2008 120W Docking Station (KP080AA)
- HP 2008 150W Advanced Docking Station (KP081AA)
- HP 2008 150W Docking Station (KQ751AA)
- HP 2008 180W Advanced Docking Station (KQ752AA)
- HP 2400/2500 Series Docking Station (EQ773AA)

NOTE: Some notebook models do not support these docking features. Docking capability for these models is provided by the HP Essential USB 2.0 Port Replicator (AQ731AA) and HP USB 2.0 Docking Station (FQ834AA#xxx).

NOTE: Not all models are available in all regions.

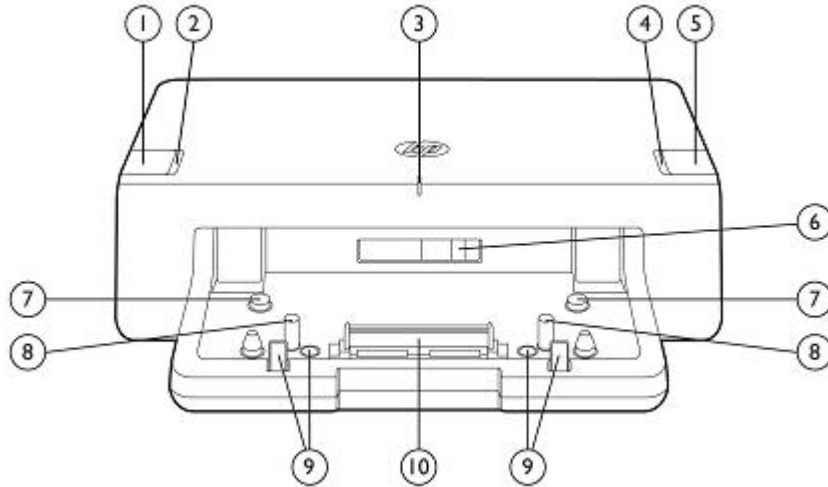
Specifications

Dimensions (H x W x D)	2.6 x 10.24 x 6.44 in (6.60 x 26.00 x 16.36 cm)	
Weight	2.36 lbs (1.07 kg)	
Power Supply (input)	Rated Voltage	100 to 240 V
	Rated Current	2.5A rms
	Line Frequency	50 - 60 Hz
Temperature	Operating	50° to 95° F (10° to 35° C)
	Non-operating	14° to 140° F (-10° to 60° C)
Relative Humidity	Operating/Non-condensing	10% to 90% relative humidity
	Non-operating	5% to 90% relative humidity, 101.6° F (38.7° C) maximum wet bulb temperature
Maximum Altitude	Operating	0 to 10,000 ft (0 to 3,048 m)
	Non-operating	0 to 30,000 ft (0 to 9,144 m)
Shock	Operating	10 G, 11 ms, half-sine
	Non-operating	60 G, 11 ms, half-sine
Vibration	Operating	0.5 G zero-to-peak, 10 to 500 Hz, 0.25 oct/min sweep rate
	Non-operating	1 G, zero-to-peak, 10 to 500 Hz, 0.5 oct/min sweep rate
Option Kit Contents	HP 90W Docking Station, AC power adapter, documentation HP 230W Docking Station, AC power adapter, documentation	



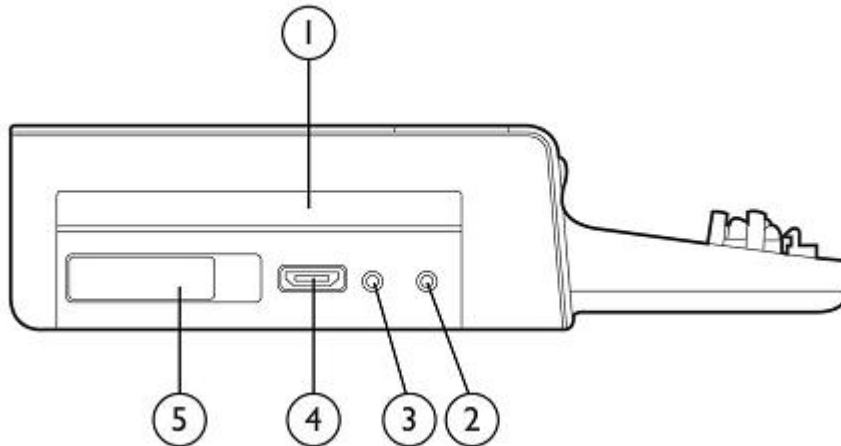
HP 120W and 230W Advanced Docking Stations

HP 120W Advanced Docking Station
HP 230W Advanced Docking Station



- | | |
|-------------------------------|------------------------------|
| 1. Power button | 6. Battery size accomodator |
| 2. Power light | 7. Guide pads |
| 3. Visual alignment indicator | 8. Docking posts |
| 4. Docking light | 9. Notebook eject mechanisms |
| 5. Notebook eject button | 10. Docking connector |

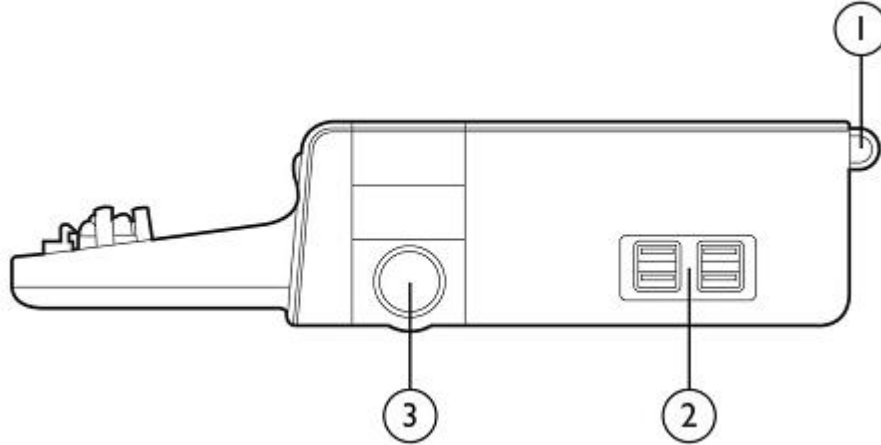
HP 120W Advanced Docking Station Left-Side Components
HP 230W Advanced Docking Station Left-Side Components



- | | |
|-------------------------------|-----------------------------------|
| 1. SATA upgrade bay | 4. eSATA adapter |
| 2. Audio-out (headphone) jack | 5. SATA upgrade bay release lever |
| 3. Line-in jack | |

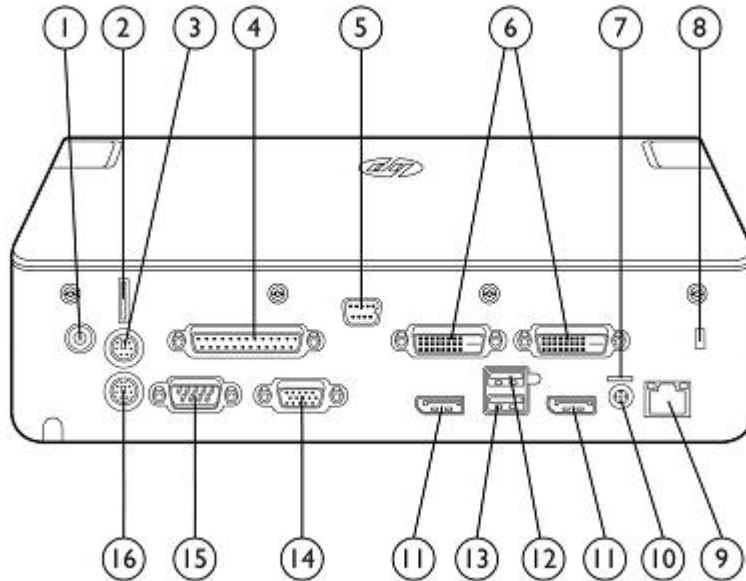
HP 120W Advanced Docking Station Right-Side Components
HP 230W Advanced Docking Station Right-Side Components

HP 120W and 230W Advanced Docking Stations



1. Notebook eject button
2. Always-On USB 2.0 ports
3. Integrated cable lock slot
(to connect HP Docking Station Cable Lock or industry standard notebook lock)

HP 120W Advanced Docking Station Rear Components HP 230W Advanced Docking Station Rear Components



1. HP Docking Station Cable Lock slot
2. Security cable tab
3. Mouse connector
4. Parallel port
5. Monitor stand port
6. Digital video (DVI-D) ports
7. Power light
8. Security cable slot
9. RJ-45 (network) jack
10. Power connector
11. DisplayPort connector
12. Powered USB 2.0 port
13. Always-On USB 2.0 port
14. External monitor (VGA) port
15. Serial port
16. Keyboard connector

HP 120W and 230W Advanced Docking Stations

Key Benefits

Robust desktop replacement solution for your mobile office with advanced features for future expansion.

- Conveniently charges your notebook while it is in the docking station.
- Easy docking system provides port replication and cable management, plus expandability through an integrated SATA upgrade bay- all in one product.
- Six USB ports allow you to connect more peripherals to make you more productive.
- Optional integrated HP Docking Station Cable Lock allows you to secure your docking station, notebook and integrated SATA drive with one lock. Also supports an industry standard notebook lock.

AC adapter included

The HP 120W Advanced Docking Station gives you an energy-efficient 120W Smart AC adapter for your Notebook PC. The HP 230W Advanced Docking Station gives you an energy-efficient 230W Smart AC adapter for your Notebook PC or Mobile Workstation. These Smart adapters guard against power fluctuations with integrated surge protection.

Standard Features

2 docking posts	Align and secure the computer for proper connection to the docking station
Docking connector	Connects the computer to the docking station
Visual alignment indicator	Helps you align the computer with the docking station for fast and easy docking
Power button and power light	Power indicators
Eject button and docking light	Ejects computer from docking station. Dock light is turned on when the computer is properly connected.
USB ports	6 USB 2.0 ports (5 Always-On, 1 powered)
Always-On USB port	Allows you to charge USB powered devices while the computer is in standby mode, powered off or not in the docking station. Conforms to USB 1.1 Charging Specification.
Powered USB port	Allows you to connect to select powered USB as well as regular USB devices
Integrated cable lock slot	Supports the HP Docking Station Cable Lock, which gives you two security options: lock the docking station only (which also prevents access to the Advanced Docking Station drive bay); or lock both the docking station and your notebook for additional security. Also supports an industry standard notebook lock.
eSATA port	Enable ultra-fast (up to 3Gb/s) external data connectivity with any customer supplied eSATA device such as an eSATA Hard Drive.
Audio and Network connectors	Audio and Ethernet ports, line-in jack, headphone jack
Legacy connectors	Mouse, keyboard, serial and parallel connectors
Other connectors	1 Monitor Stand, 2 DisplayPort, 1 VGA and 2 DVI-D connectors. AC adapter connector with light
Upgrade bay	Supports all HP upgrade bay hard drives and optical drives for additional local storage capabilities.
Smart Adapter	120W or 230W Smart AC Adapter

Service and Support One-year limited warranty. Additional support is available 24 hours a day, seven days a week by phone as well as online support forms.

NOTE: Certain restrictions and exclusions apply. Consult the [HP Customer Support Center](#) for details.



HP 120W and 230W Advanced Docking Stations

Compatibility

The HP 120W Advanced Docking Station and HP 230W Advanced Docking Station are compatible with HP ProBook 6445b and 6545b Notebook PCs. The HP Docking Station Cable Lock (AU656AA#XXX) is compatible with the docking stations.

NOTE: Due to technology changes older notebook models may be supported by different docking stations. Please refer to the following models for additional information:

- HP 2008 120W Docking Station (KP080AA)
- HP 2008 150W Advanced Docking Station (KP081AA)
- HP 2008 150W Docking Station (KQ751AA)
- HP 2008 180W Advanced Docking Station (KQ752AA)
- HP 2400/2500 Series Docking Station (EQ773AA)

NOTE: Some notebook models do not support these docking features. Docking capability for these models is provided by the HP Essential USB 2.0 Port Replicator (AQ731AA) and HP USB 2.0 Docking Station (FQ834AA#xxx).

NOTE: Not all models are available in all regions.

Specifications

Dimensions (H x W x D)	2.60 x 10.65 x 10.24 in (6.6 x 27.05 x 26.0 cm)	
Weight	3.61 lbs (1.637 kg)	
Power Supply (input)	Rated Voltage	100 to 240 V
	Rated Current	2.5A rms
	Line Frequency	50 - 60 Hz
Temperature	Operating	50° to 95° F (10° to 35° C)
	Non-operating	14° to 140° F (-10° to 60° C)
Relative Humidity	Non-operating	5% to 90% relative humidity, 101.6° F (38.7° C) maximum wet bulb temperature
Maximum Altitude	Operating	0 to 10,000 ft (0 to 3,048 m)
	Non-operating	0 to 30,000 ft (0 to 9,144 m)
Shock	Operating	10 G, 11 ms, half-sine
	Non-operating	60 G, 11 ms, half-sine
Vibration	Operating	0.5 G zero-to-peak, 10 to 500 Hz, 0.25 oct/min sweep rate
	Non-operating	1 G, zero-to-peak, 10 to 500 Hz, 0.5 oct/min sweep rate
Option Kit Contents	HP 120W Advanced Docking Station, AC power adapter, documentation HP 230W Advanced Docking Station, AC power adapter, documentation	



Related Options

HP Docking Station Cable Lock	AU656AA#XXX
HP 500-GB 7200rpm Primary SATA Hard Drive	AU098AA#xxx
HP Upgrade Bay SATA DVD+/-RW SuperMulti DL LightScribe Drive	AK869AA
HP Extended Life Battery	AJ359AA
HP USB Keyboard/Mouse Bundle*	RC465AA
HP Adjustable Notebook Stand	PA508A
HP Monitor Stand	PA507A

*Availability may vary by region.

© Copyright 2010 Hewlett-Packard Development Company, L.P.

The information contained herein is subject to change without notice.

The only warranties for HP products and services are set forth in the express warranty statements accompanying such products and services. Nothing herein should be construed as constituting an additional warranty. HP shall not be liable for technical or editorial errors or omissions contained herein.

